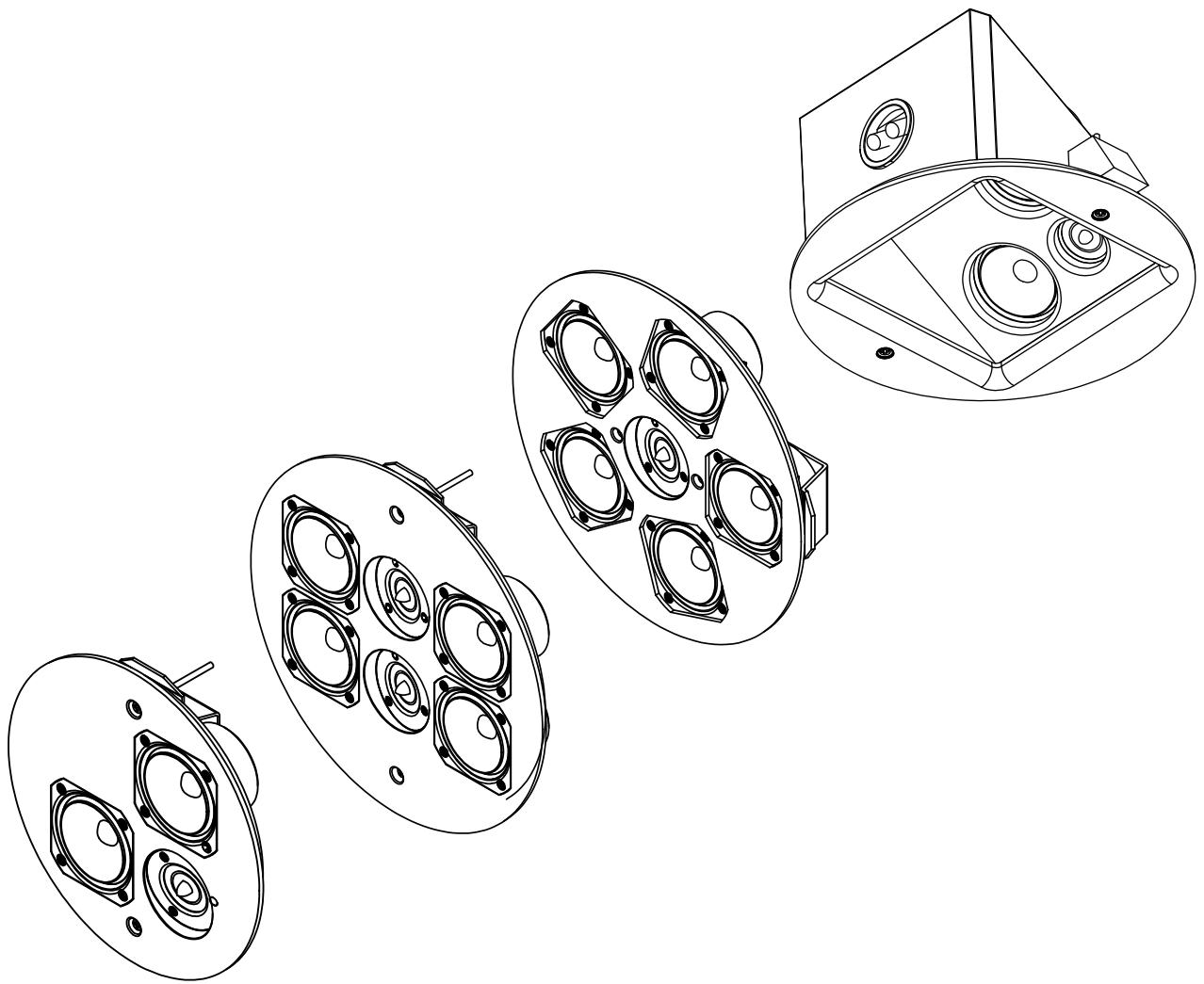


Artcoustic[®]

ARCHITECT SL OWNERS MANUAL



Welcome to the world of Artcoustic!

Congratulations with your purchase of the Artcoustic Architect SL In-ceiling speaker.

The Architect SL Series is created to provide impressive sound from ultra thin and aesthetically pleasing loudspeakers. The entire Architect line of in-wall/in-ceiling loudspeakers will surprise you. Whether you are looking for true HiFi music reproduction or louder applications such as home cinema installations, commercial installations, bars, restaurants and public address setups, the Artcoustic Architect Series offer the ultimate solution.

The Architect Series has been designed and Engineered with the same high specifications as all the other Artcoustic models, leaving no space for compromise on sound quality and built. The Architect series consist of four models, Architect 2-1 SL single source speaker to the larger Architect 4-2 SL single or dual source speaker, the Architect 3-2-1 single source full range solution and finally the high SPL and more directional single source Architect 2-1 SL PAS.

Thank you for purchasing an Artcoustic product.

All the best,
The Artcoustic Team

ARCHITECT SL FEATURES

High Frequency driver:

Dual Ring Radiator diaphragm with highly linear suspension and low loss surrounds for high clarity and clean transient response. Copper caps for better HF extension and lower distortion and wave-guide center plug, copper-clad aluwire.

Architect 2-1 SL, Architect 4-2 SL and Architect 3-2-1 SL.

5 degrees angled tweeters, for controlled directivity and improved off axis response.

Architect 2-1 SL PAS.

20 degrees angled, full-range all units.

Woofers:

Extra long excursion and aluminium Short Circuiting Ring, 4-layer voice coil, anodised aluminium for improved heat dissipation, combined with Distortion Reduced Motor.

Crossover:

6 dB/octave low pass and 12 dB/octave high pass filter.

Design features:

Low resonance baffle, exceptional low mounting depth combined with very high SPL and dynamic range.

Quick and easy installation with in-house developed Spider Grip metal mount.

SPECIFICATIONS

Architect 2-1 SL Architectural Speaker

Transducer:

LF-MF 2 x 3 inch cone

HF 1 x 1 inch Dual Ring Radiator

Crossover:

Low Pass Filter 6 dB/octave 1000 Hz High Pass

12 dB/octave 4000Hz

Connection:

Single amped Gold Plated Screw Terminals

Performance:

Operating Range 60 Hz (-3dB) to 40 kHz

Nominal Beamwidth Horizontal 90° Vertical 90°

Axial Sensitivity (half space SPL) LF/MF-HF Sensitivity 93 dB

Input Impedance Nominal Minimum 4 ohms

Calculated Axial Output Limit (half space SPL) Average Peak LF/MF-HF 105dB

Maximum Power Handling 50 Watt

Weight 2 kg

Dimensions H: 240 W: 240 D: 74 mm

Finish:

Cabinet: Black, White, RAL, NCS, Tikkurila

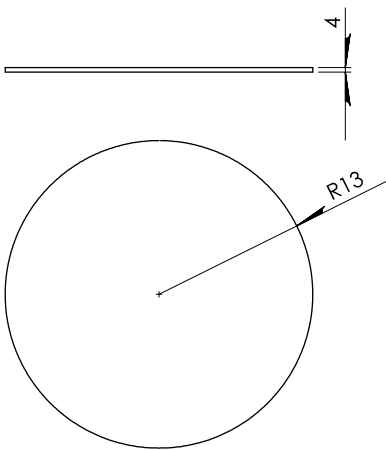
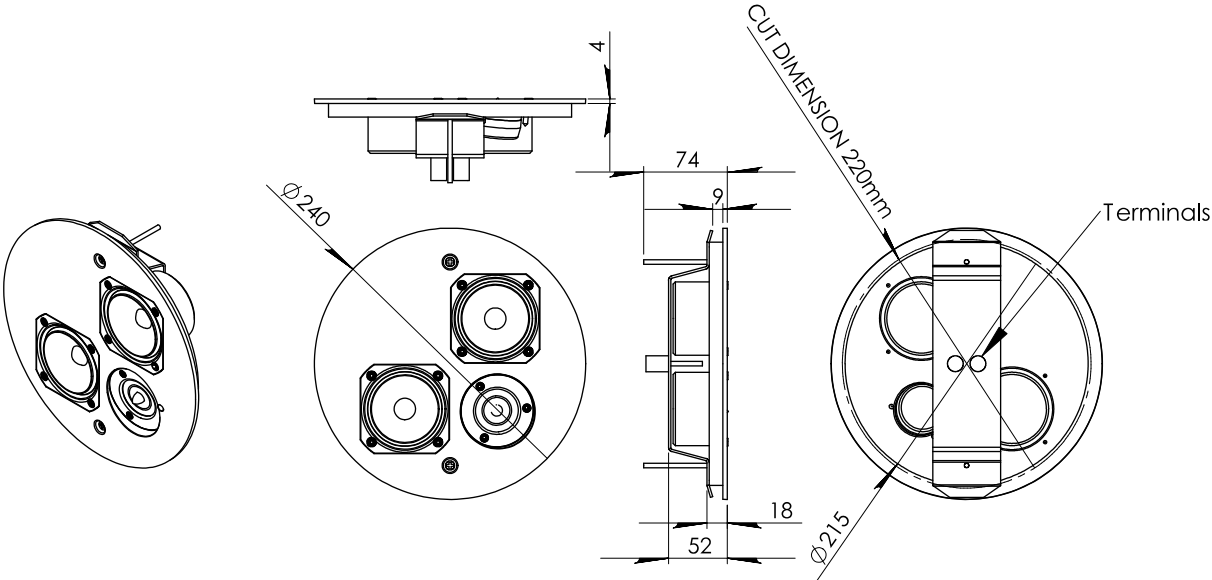
Screen: Black, White, RAL, NCS, Tikkurila,

Architect 2-1 SL

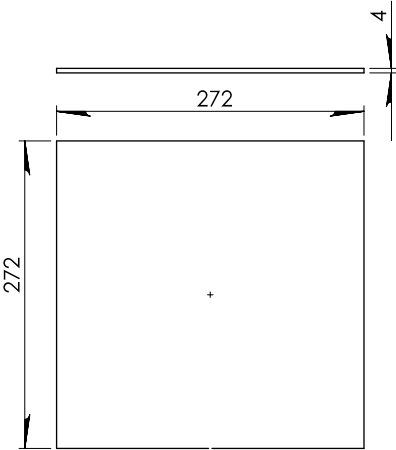
The smallest model in the in-ceiling, in-wall line up. Architect SL is the perfect solution for multi-room applications, commercial installations, bars, restaurants, hotel lobby's etc. And as well as the perfect choice for Dolby Atmos effect speakers in Artcoustic cinema systems.

Couple the Architect 2-1 SL with one of the powerful Artcoustic subwoofers and experience the ultimate sound performance, within the typical Artcoustic reward winning, discrete and aesthetic design.

ARCHITECT 2-1 SL SCHEMATICS



Round grille



Square grille

SPECIFICATIONS

Specification Architect 4-2 SL Architectural Speaker

Transducer:

LF-MF 4 x 3 inch cone

HF 2 x 1 inch Dual Ring Radiator

Crossover:

Low Pass Filter 6 dB/octave 1000 Hz High Pass

12 dB/octave 4000Hz

Connection:

Single or bi-amped Gold Plated Screw Terminals

Performance:

Operating Range 65 Hz (-3dB) to 40 kHz

Nominal Beamwidth Horizontal 90° Vertical 90°

Axial Sensitivity (half space SPL) LF/MF-HF Sensitivity (stereo) 93 dB (mono) 99dB

Input Impedance Nominal Minimum 4 ohms

Calculated Axial Output Limit (half space SPL) Average Peak LF/MF-HF (stereo) 105dB (mono) 111dB

Maximum Power Handling 50 Watt

Weight 4 kg

Dimensions H: 300 W: 300 D: 74 mm

Finish:

Cabinet: Black, White, RAL, NCS, Tikkurila, Gloss

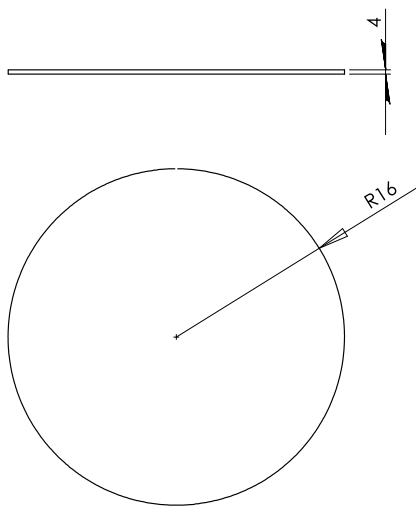
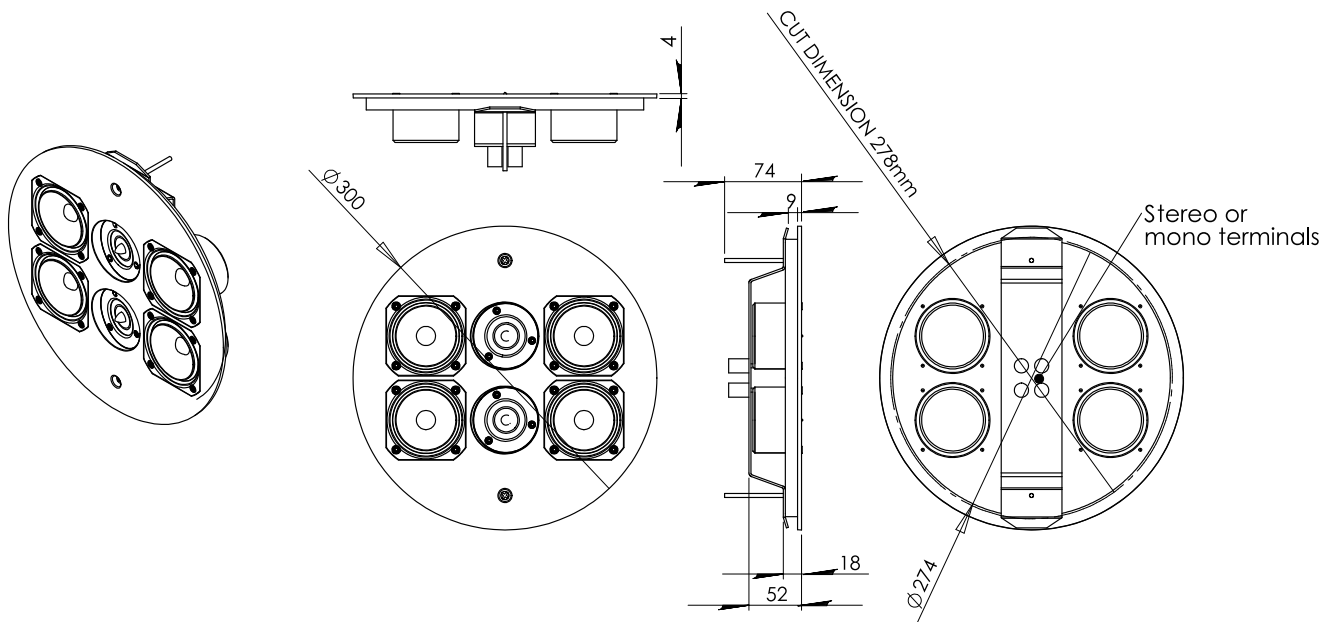
Screen: Black, White, RAL, NCS, Tikkurila,

Architect 4-2 SL

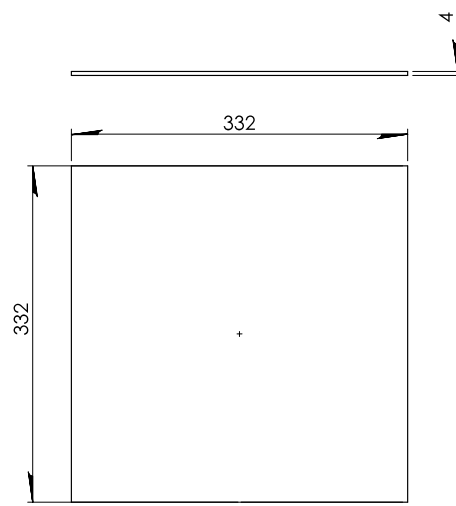
The Architect In-Wall 4-2 SL is more powerful than the 2-1 and offer options of either single source high output, high performance speaker, for more demanding applications, or can be used as a full range dual source stereo speaker where appropriate.

The Architect 4-2 SL has an impressive operating dynamic range -3dB 45Hz and extend to and impressive upper frequency response at 40kHz. All matched with an exceptional Sound pressure at 111dB. Making the Architect 4-2 SL a true all-rounder, fitting a large portfolio of applications.

ARCHITECT 4-2 SL SCHEMATICS



Round grille



Square grille

SPECIFICATIONS

Specification Architect 3-2-1 Architectural Speaker

Transducer:

LF 3 x 3 inch cone

LF-MF 2 x 3 inch cone

HF 1 x 1 inch Dual Ring Radiator

Crossover:

Low Pass Filter LF 12 dB/octave 60 Hz

Low Pass Filter LF-MF 6 dB/octave 1000 Hz High Pass 12 dB/octave 3000Hz

Connection:

Single or bi-amped Gold Plated Push Terminals

Performance:

Operating Range 45 Hz (-3dB) to 40 kHz

Nominal Beamwidth Horizontal 90° Vertical 90°

Axial Sensitivity (half space SPL) LF/MF-HF Sensitivity 93 dB

Input Impedance Nominal Minimum 4 ohms

Calculated Axial Output Limit (half space SPL) Average Peak LF/MF-HF 110dB

Maximum Power Handling 50 Watt

Weight 4.5 kg

Dimensions H: 300 W: 300 D: 74 mm

Finish:

Cabinet: Black, White, RAL, NCS, Tikkurila, Gloss

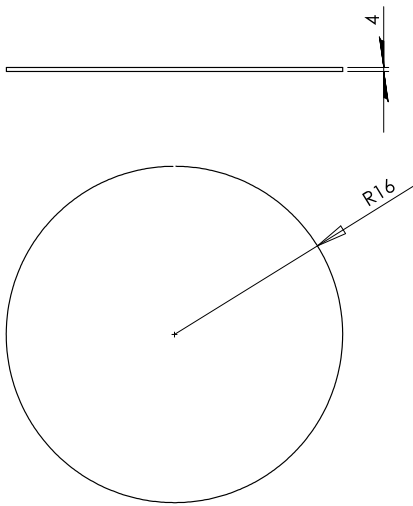
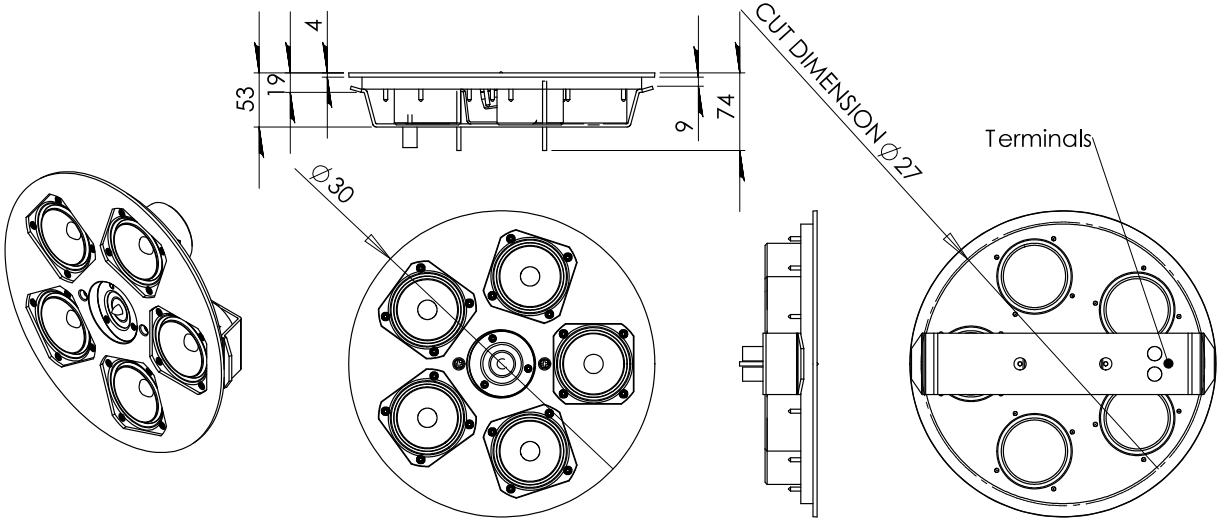
Screen: Black, White, RAL, NCS, Tikkurila,

Architect 3-2-1 SL

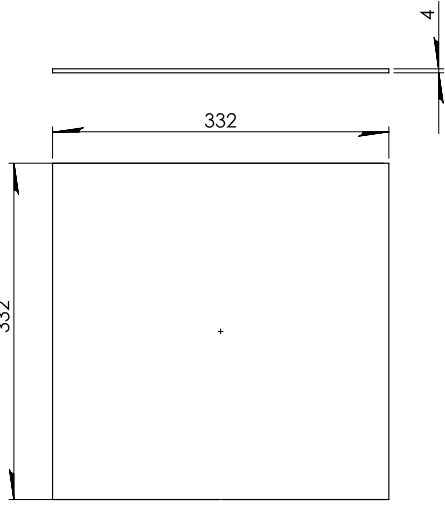
The Architect 3-2-1 SL is a high SPL full range single source speaker, targeting multi room applications. The Architect 3-2-1 SL perform with equal impressive dynamic range within a residential solution, or in a professional setup, such as bars, restaurants, hotels, or simply anywhere, where the typical Artcoustic superior quality sound reproduction is expected, all without the need of a subwoofer.

The Architect 3-2-1 SL has an impressive operating dynamic range -3dB 45Hz and extend to and impressive upper frequency response at 40kHz. All matched with an exceptional Sound pressure level at 110dB. Making the Architect 3-2-1 SL a true all-rounder, fitting a large portfolio of applications.

ARCHITECT 3-2-1 SL SCHEMATICS



Round grille



Square grille

SPECIFICATIONS

Specification Architect 2-1 SL PAS Architectural Speaker

Transducer:

LF-MF 2 x 3 inch cone
HF 1 x 1 inch Dual Ring Radiator

Crossover:

Low Pass Filter 6 dB/octave 1000 Hz High Pass
12 dB/octave 3000Hz

Connection:

Single or bi-amped Gold Plated Push Terminals

Performance:

Operating Range 70 Hz (-3dB) to 18 kHz

Nominal Beamwidth Horizontal 60° Vertical 60°

Axial Sensitivity (half space SPL) LF/MF-HF Sensitivity 95 dB

Input Impedance Nominal Minimum 4 ohms

Calculated Axial Output Limit (half space SPL) Average Peak LF/MF-HF 112dB

Maximum Power Handling 50 Watt

Weight 3 kg

Dimensions H: 300 W: 300 D: 153 mm

Finish:

Cabinet: Black, White, RAL, NCS, Tikkurila, Gloss

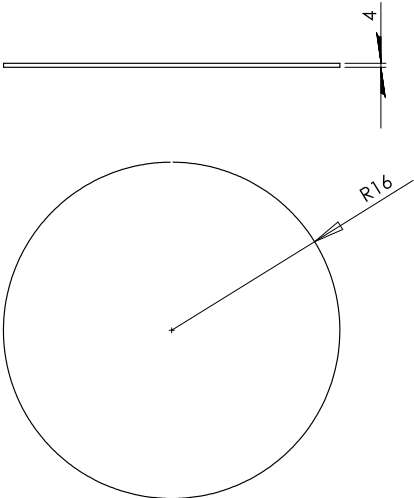
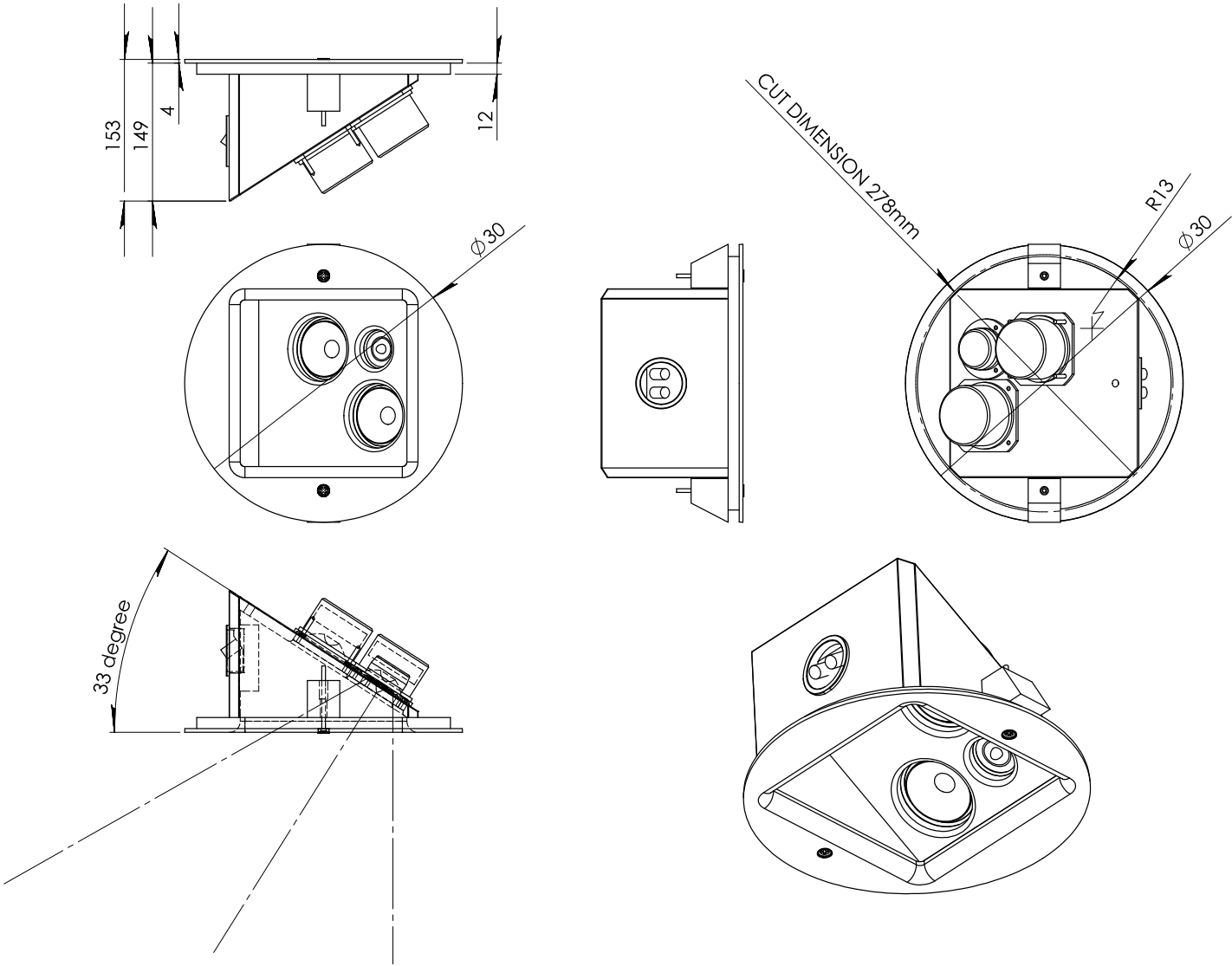
Screen: Black, White, RAL, NCS, Tikkurila,

Architect 2-1 PAS

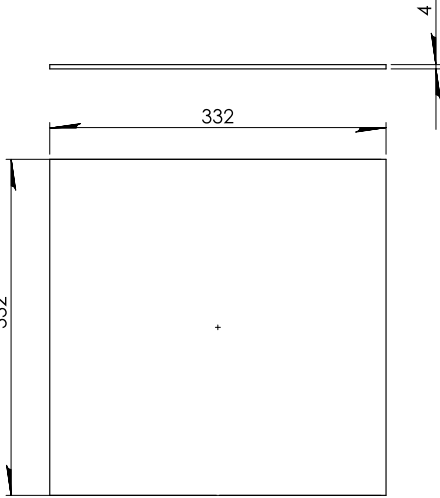
The Architect 2-1 PAS is a high SPL directional single source speaker, mainly targeting the demanding Dolby Atmos effect speaker applications, but will work well and with equal precision as an in-ceiling LCR configuration, or simply anywhere, where superior quality sound reproduction is needed, combined with high sensitivity and overall high sound pressure level.

Couple the Architect 2-1 PAS with one of the powerful Artcoustic subwoofers and experience the ultimate sound performance, within the typical Artcoustic reward winning, discrete and aesthetic design.

ARCHITECT 2-1 PAS SCHEMATICS



Round grille



Square grille

SAFETY INSTRUCTIONS

SAFETY:

1. Do not use this product near water.
2. Clean panel only with dry cloth.
3. Do not install near any heat sources, such as radiators, heat registers, stoves.

Refer all servicing to qualified service personnel. Servicing is required when the product has been damaged in any way, liquid has been spilled or objects have fallen into the product, the product has been exposed to rain or moisture, does not operate normally or has been dropped.

WARNING:

To reduce the risk of fire and electric shock do not expose this product to rain or moisture.

1. Do not place objects filled with liquids such as vases on the product.
2. Do not open product. There are no user-serviceable parts inside.

This product complies with Part 15 of the FCC Rules. Its operation is subject to the following two conditions:

This product may not cause harmful interference,

This product must accept any interference received, including interference that may cause undesired operation.

Changes or modifications not expressly approved by the party responsible for compliance could void the user's authority to operate the equipment.

WARRANTY:

Is valid only for products purchased from an authorised Artcoustic retailer or dealer.

Is valid from the date of purchase for a period of 3 years for passive loudspeakers, one year for powered loudspeakers and electronics.

Is limited to the repair of the equipment (which could be a repair or replacement at our discretion, neither of which affects your original warranty). Neither transportation, nor any other costs, nor any risk for removal, transportation and installation of products is covered by this warranty.

Is only valid for the original owner. It is not transferable.

Will not be applicable in cases other than defects in materials and/or workmanship at the time of purchase and will not be applicable:

For deterioration of component parts, the nature of which is to become worn or depleted with use, such as batteries.
For damages caused by incorrect installation, connection or packing.

For damages caused by any use other than correct use described in the user manual, negligence, modifications, or use of parts that are not made or authorised by Artcoustic UK Ltd.

For damages caused by faulty or unsuitable ancillary equipment

For damages caused by accidents, lightning, water, fire heat, war, public disturbances or any other cause beyond the reasonable control of Artcoustic UK Ltd and its appointed distributors.

If it is found necessary to return the product for repair, you may be given a Return Merchandise Authorisation. You should not return the product without this authorisation, if given.

To validate your warranty, you will need to produce the original sales invoice or other proof of ownership and date of purchase.